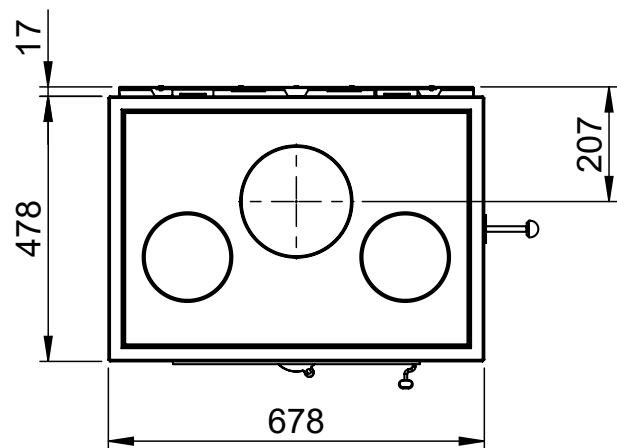
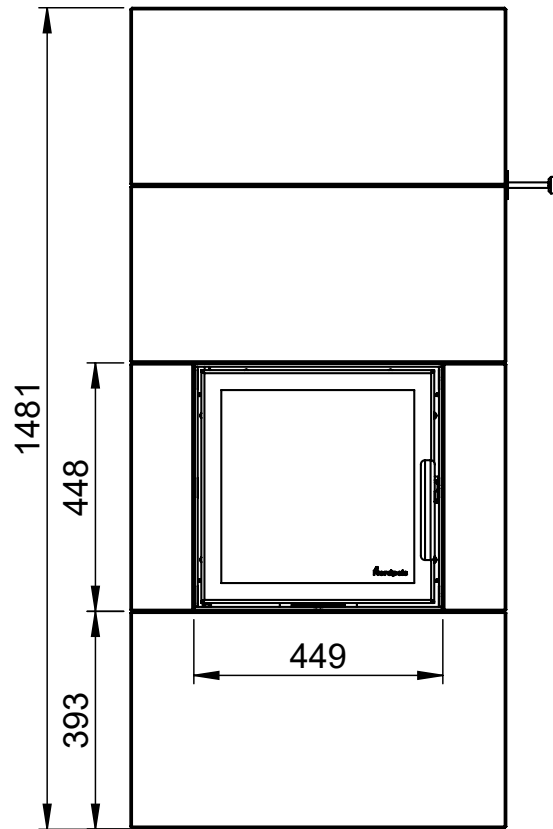
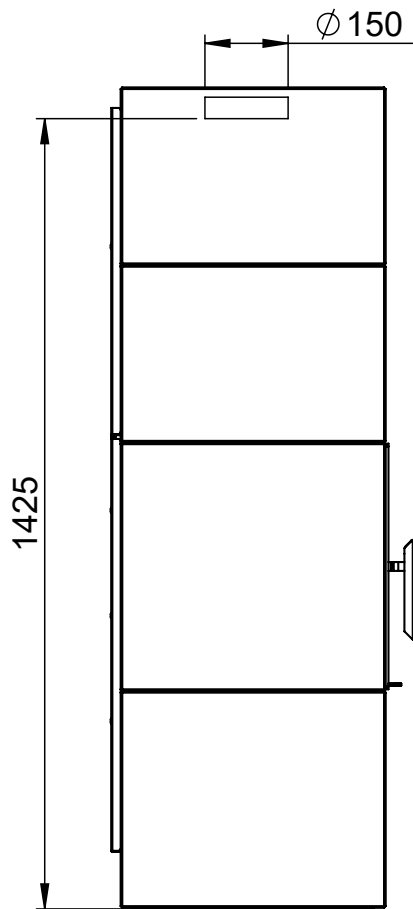


# Measurements

SALZBURG M II

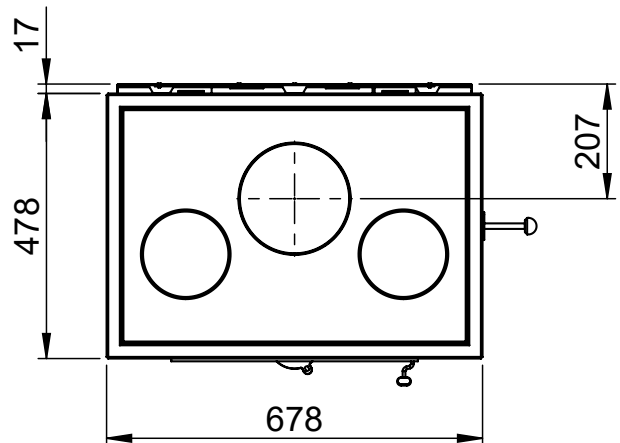
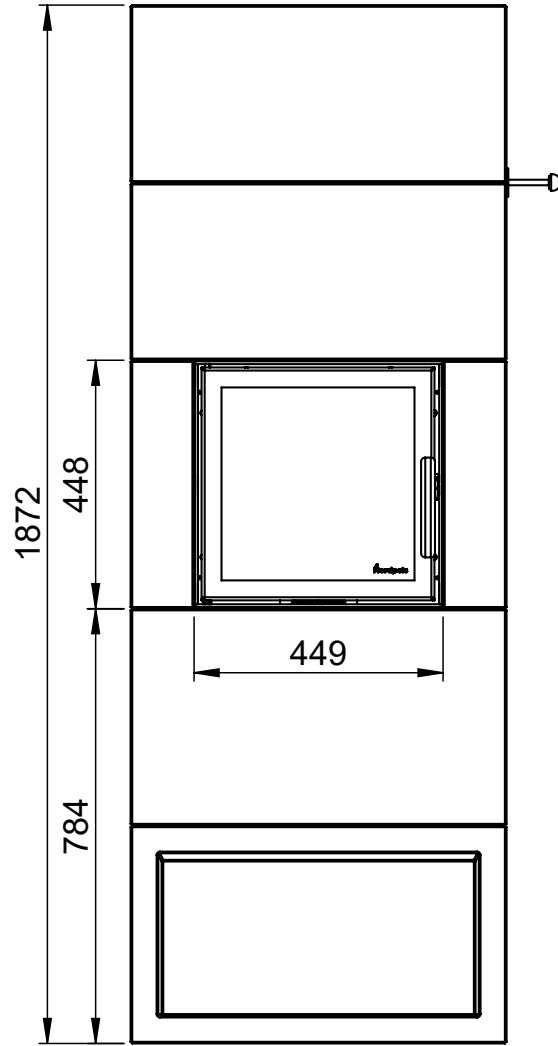
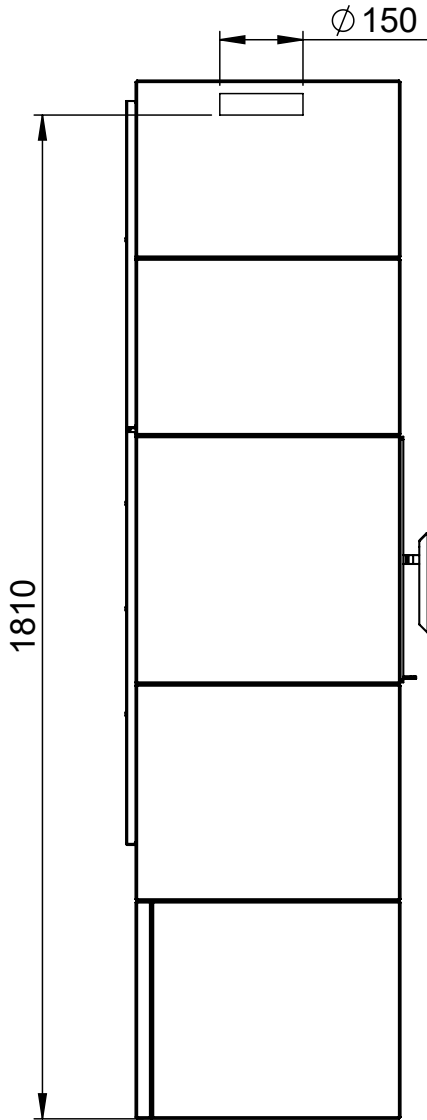
 Nordpeis



# Measurements

SALZBURG M II WOODSHELF

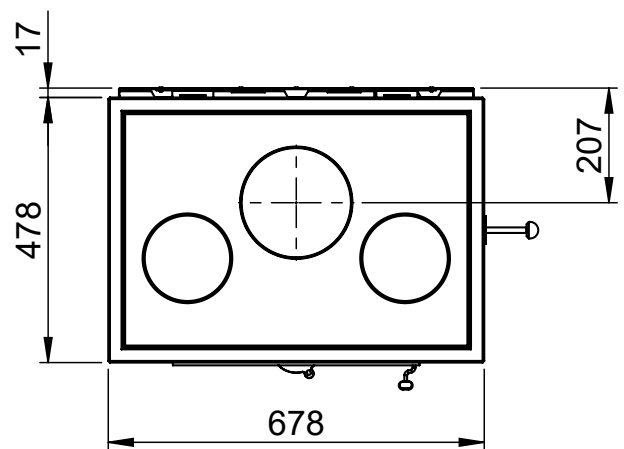
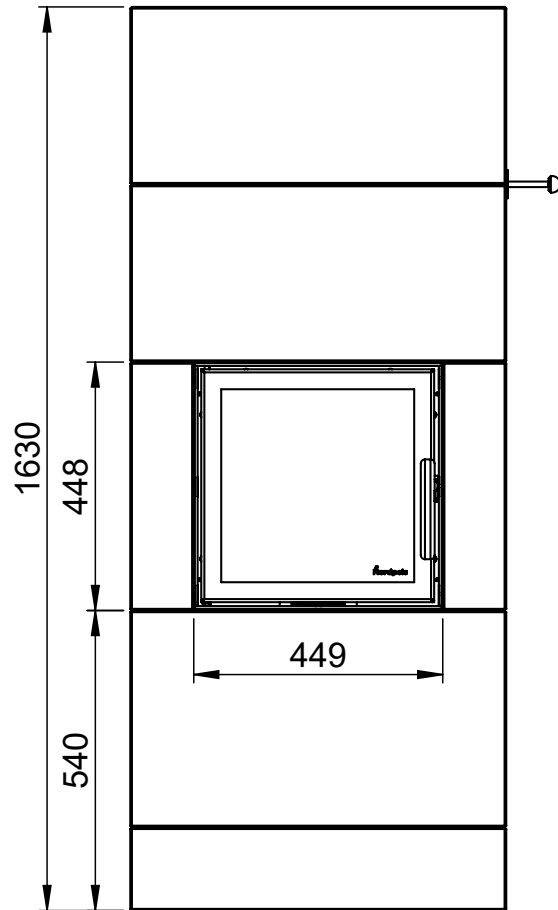
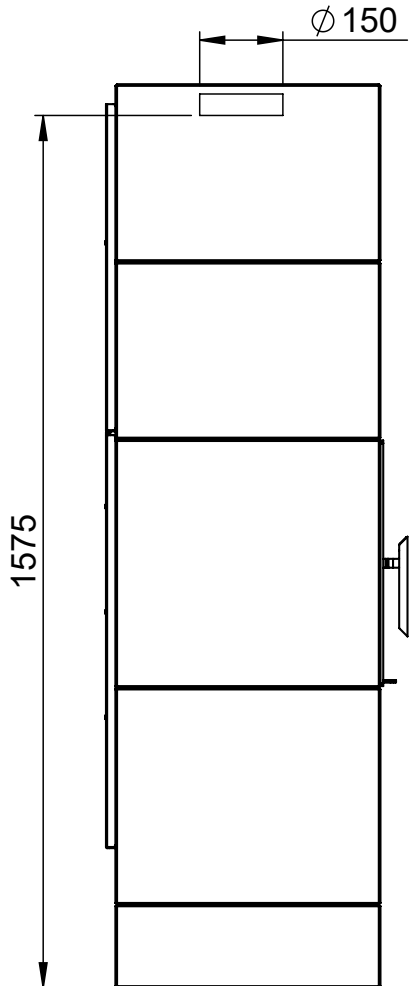
 Nordpeis



# Measurements

SALZBURG M II EXTENSION BASE

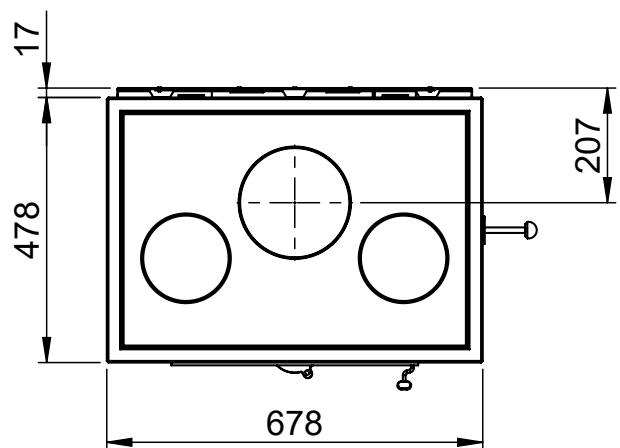
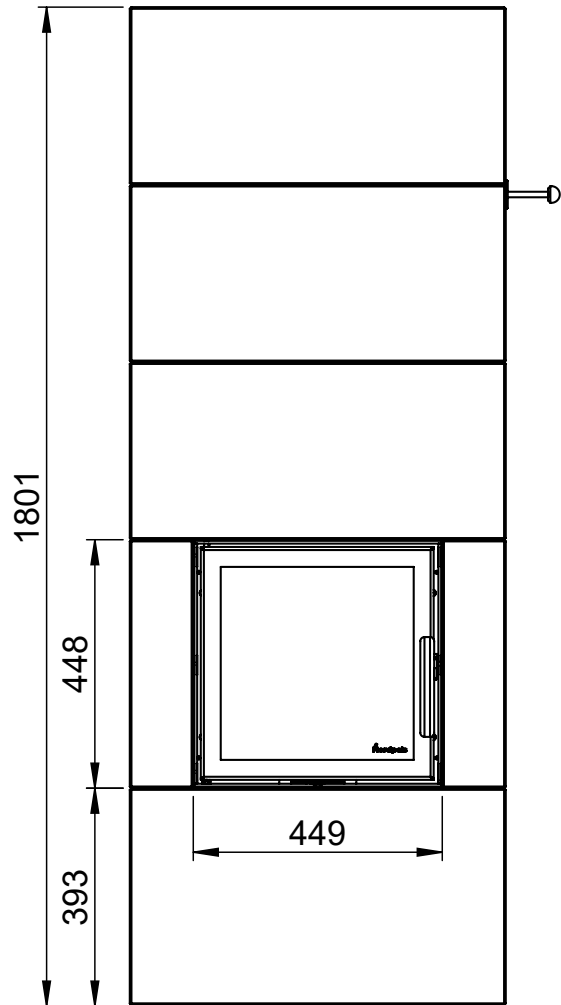
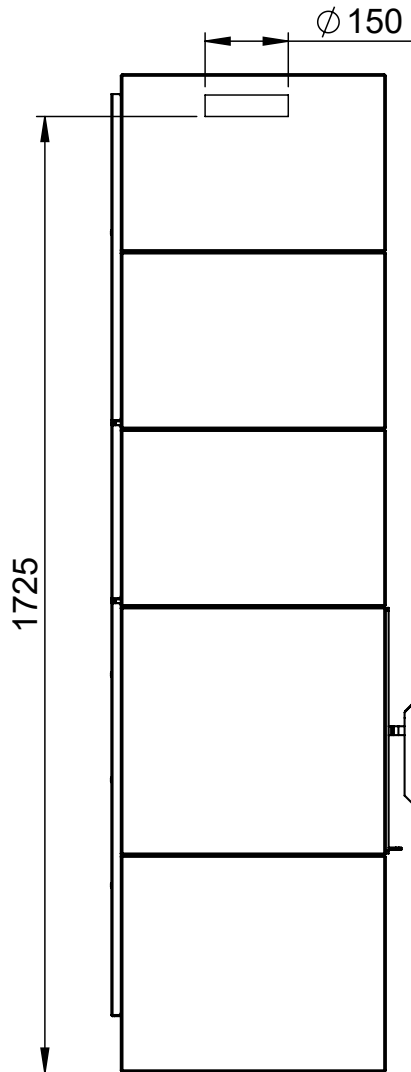
 Nordpeis



# Measurements

SALZBURG M II +1

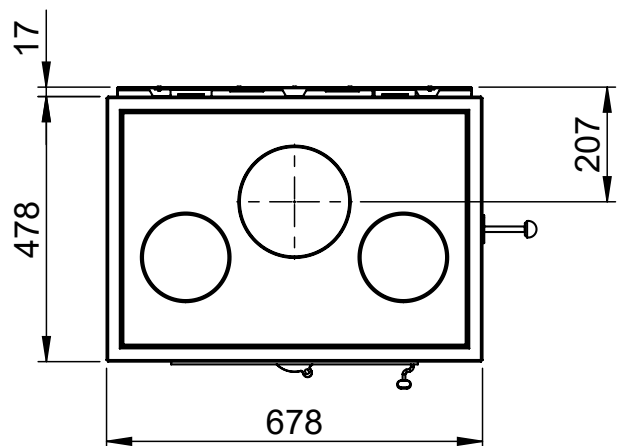
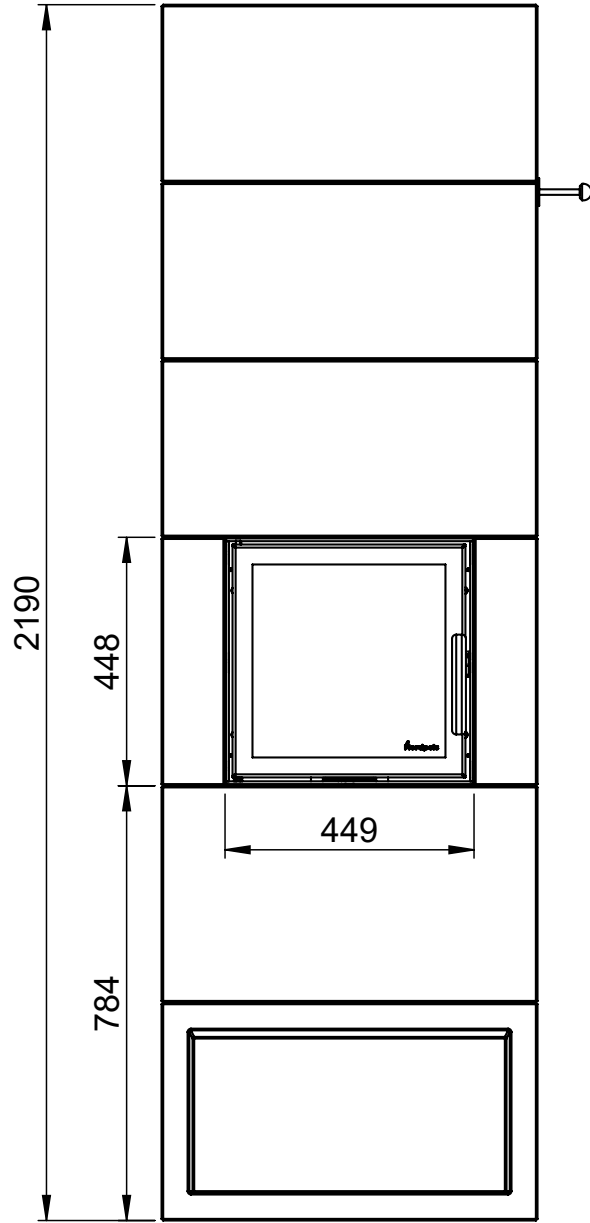
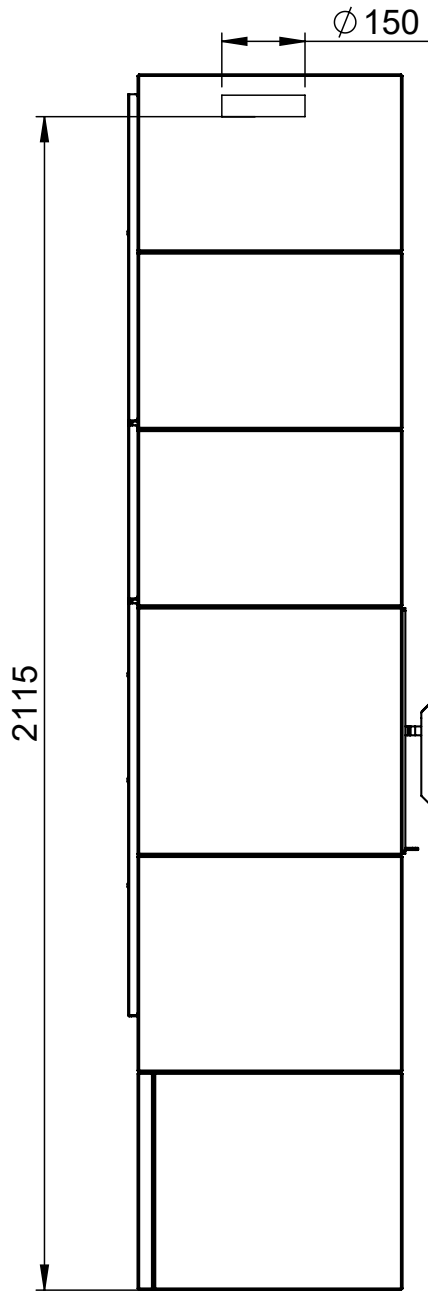
 Nordpeis



# Measurements

SALZBURG M II +1 WOODSHELF

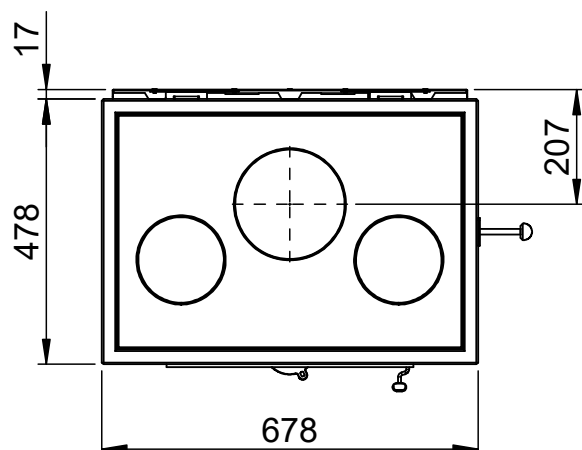
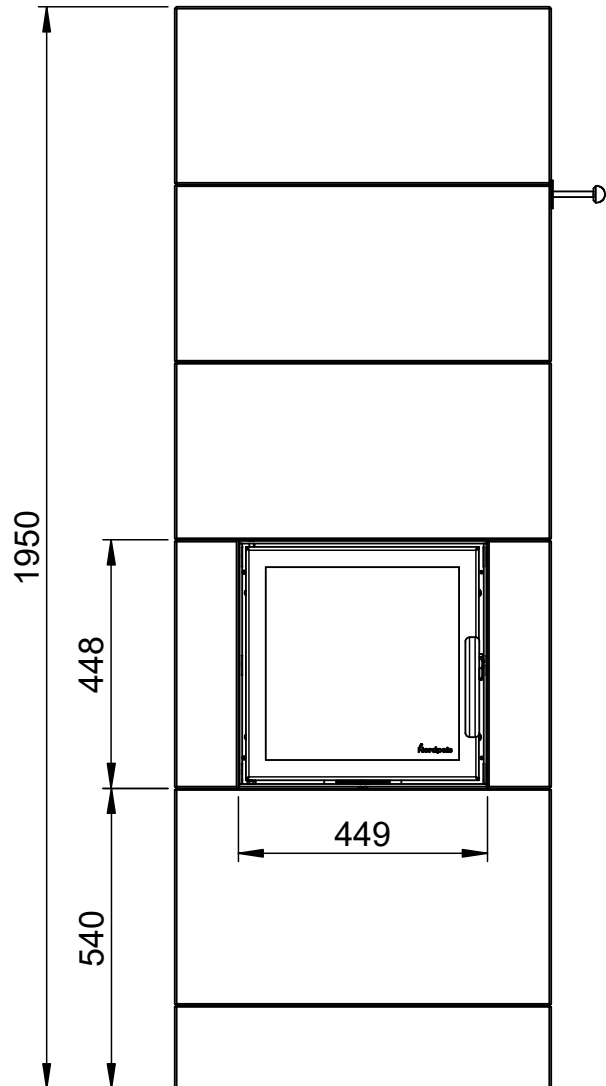
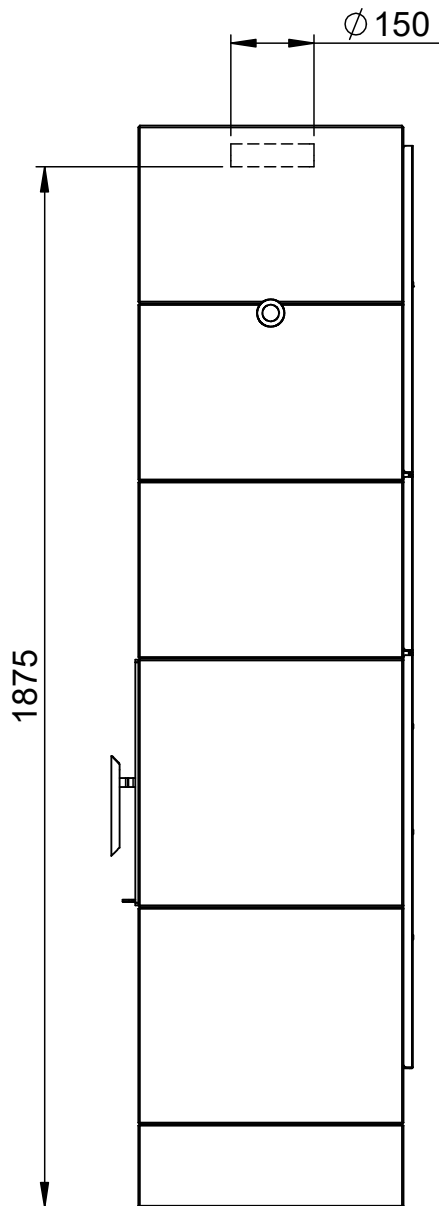
 Nordpeis



# Measurements

SALZBURG M II+1 EXTENSION BASE

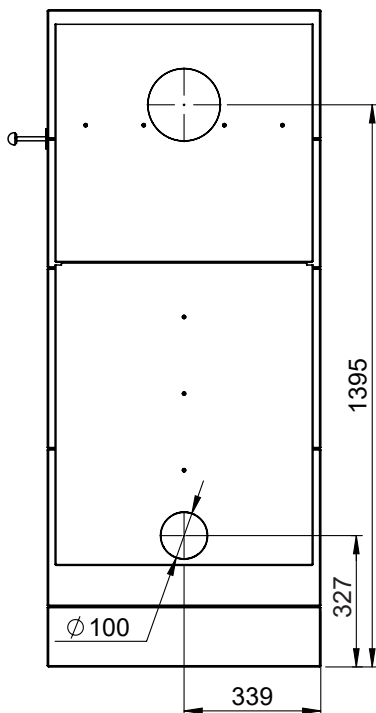
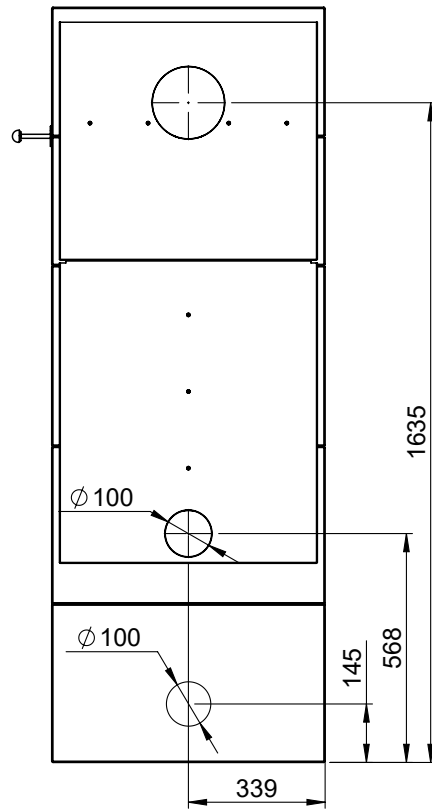
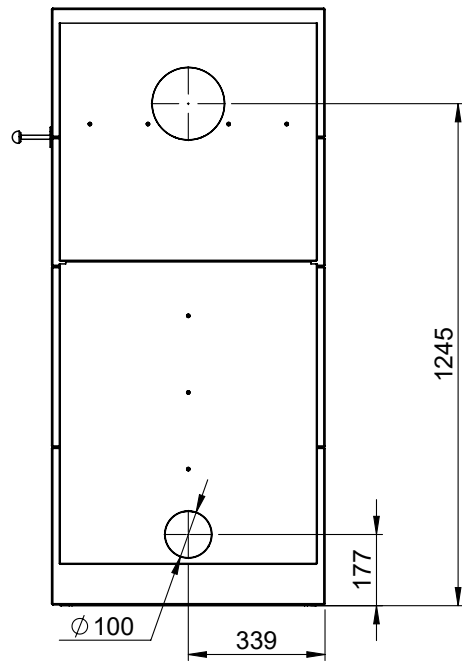
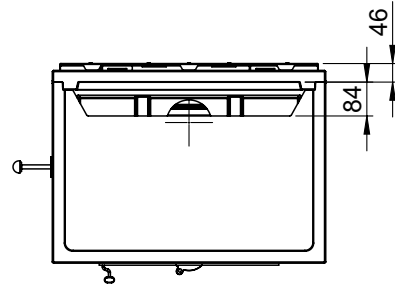
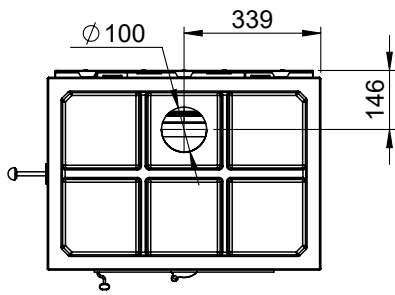
 Nordpeis



# Measurements

SALZBURG M II, SALZBURG M II WOODSHELF/EXTENSION BASE

 Nordpeis



# Measurements

SALZBURG M II +1, SALZBURG M II +1 WOODSHELF

 Nordpeis

