



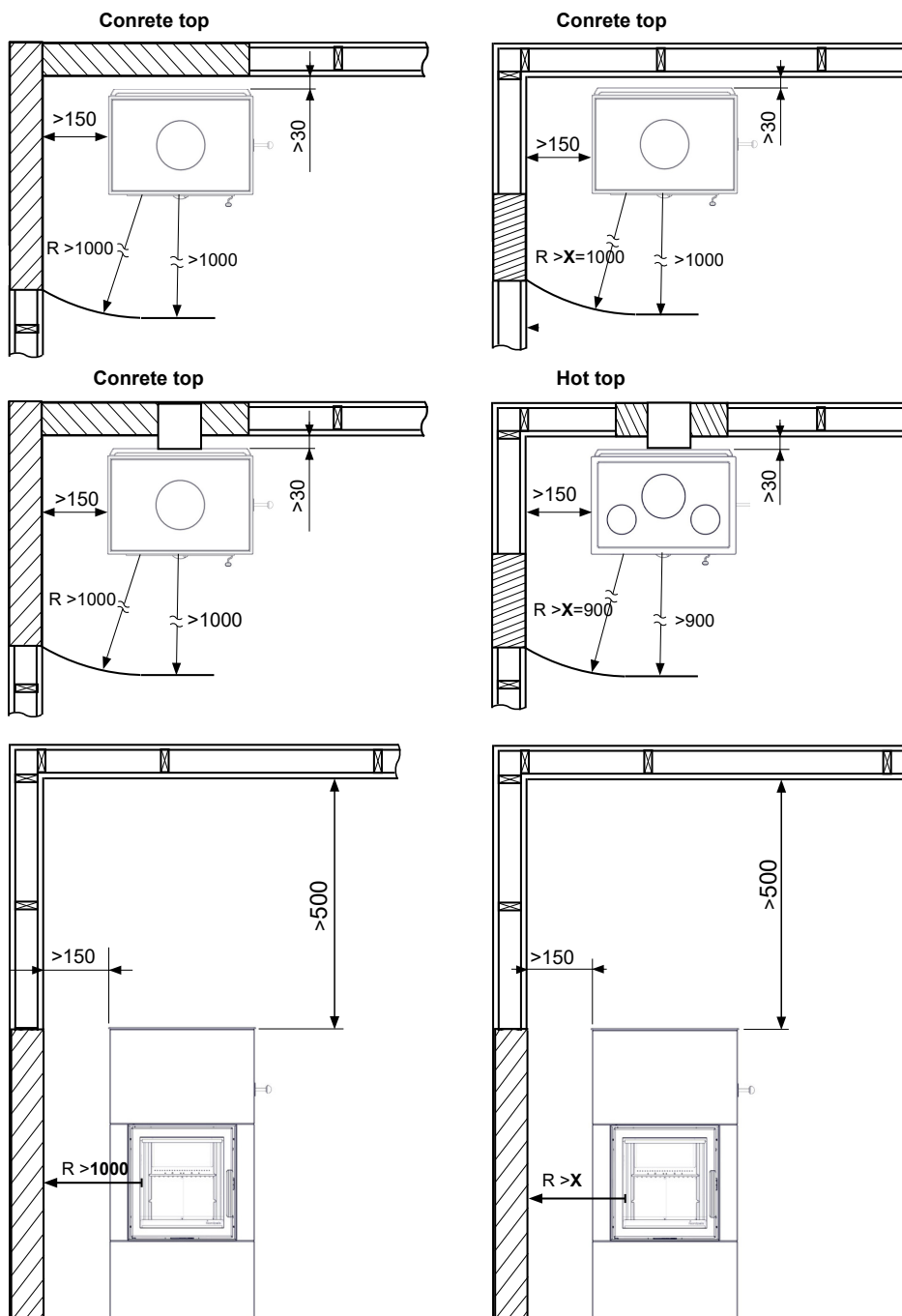
Safety distances

SALZBURG S



FIG 1 = MM

 =Brannmur/Brandmur/Palomuuri/Firewall/Mur parfeu/Hitzeschutzwand
 =Brennbart materiale/ Brännbart material/ Tulenarka materiaali/Combustible material/





Safety distances

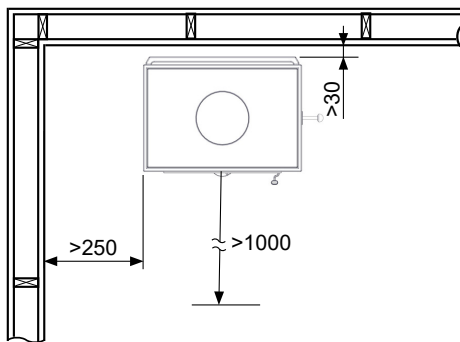
SALZBURG S



FIG 2 = MM

-  = Brannmur/Brandmur/Palomuuri/Firewall/Mur parfeu/Hitzeschutzwand
-  = Brennbar materiale/ Brännbart material/ Tulenarka materiaali/Combustible material/

Concrete top



Hot top

