

Installation manual

IRON DOG 01-06

©2019

BRUNNER[®]
made in germany.

CONTENTS

1	Safety precautions.....	2
2	Delivery contents.....	3
3	Components.....	3
4	Transport.....	3
5	Identification plate.....	4
6	Dimension drawings.....	5
7	Requirements to the installation area.....	8
8	Installation.....	9
9	Distances.....	10
10	Combustion air.....	12
11	Chimney and smoke pipe connection.....	13
12	Initial operation.....	13

1 SAFETY PRECAUTIONS

We recommend having the **IRON DOG** installed and connected to the chimney by an authorized stove-fitter, as safety and effectiveness depend on a proper installation of the product. All European, national and local regulations must be observed and followed.

No liability or guarantee entitlements will be accepted for damage resulting from nonobservance of this installation manual!

Fireplaces must be built to ensure safe operation and fire-safety, so that dangers and unreasonable nuisances cannot appear.

Fireplaces may be set up only in rooms or areas with no risk of danger due to their state, structure or intended use.

Other manuals accompanying the insert are to be considered.

Subject to technical changes.

Please read attentively this installation manual before the beginning of the installation.

2 DELIVERY CONTENTS

The **IRON DOG** is delivered completely assembled on a disposable pallet. The **IRON DOGS** are screwed to the pallet;

In order to enable an optimal installation and connection of the **IRON DOG**, we recommend using the optional accessories. These are adjusted perfectly to the required safety distances and make it possible to install the **IRON DOG** rapidly and safely, without any problems - see www.iron-dog.com.

In case of damages due to transport the supplier and the transport company should be notified immediately.

3 COMPONENTS

A detailed list of all the components of the **IRON DOGS** can be found in the user manual.

4 TRANSPORT



Caution when turning over the device - loose parts!

Stove top, baffle plate, grill and accessories are not screwed to the device. In order to reduce the weight during transport, these parts can be removed.

5 IDENTIFICATION PLATE

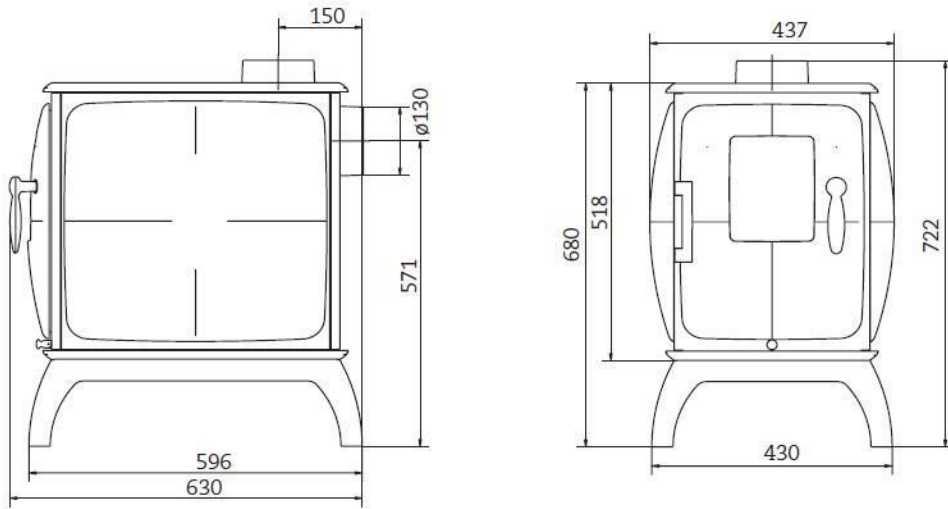
The identification plate is fixed to the inside of the firing door or the ash door. The identification plate of the Iron Dog 06 can be found on the soot door. Here you will find information about the permissible fuels and the serial number, needed in case of spare part orders. Please copy this serial number in the user manual.



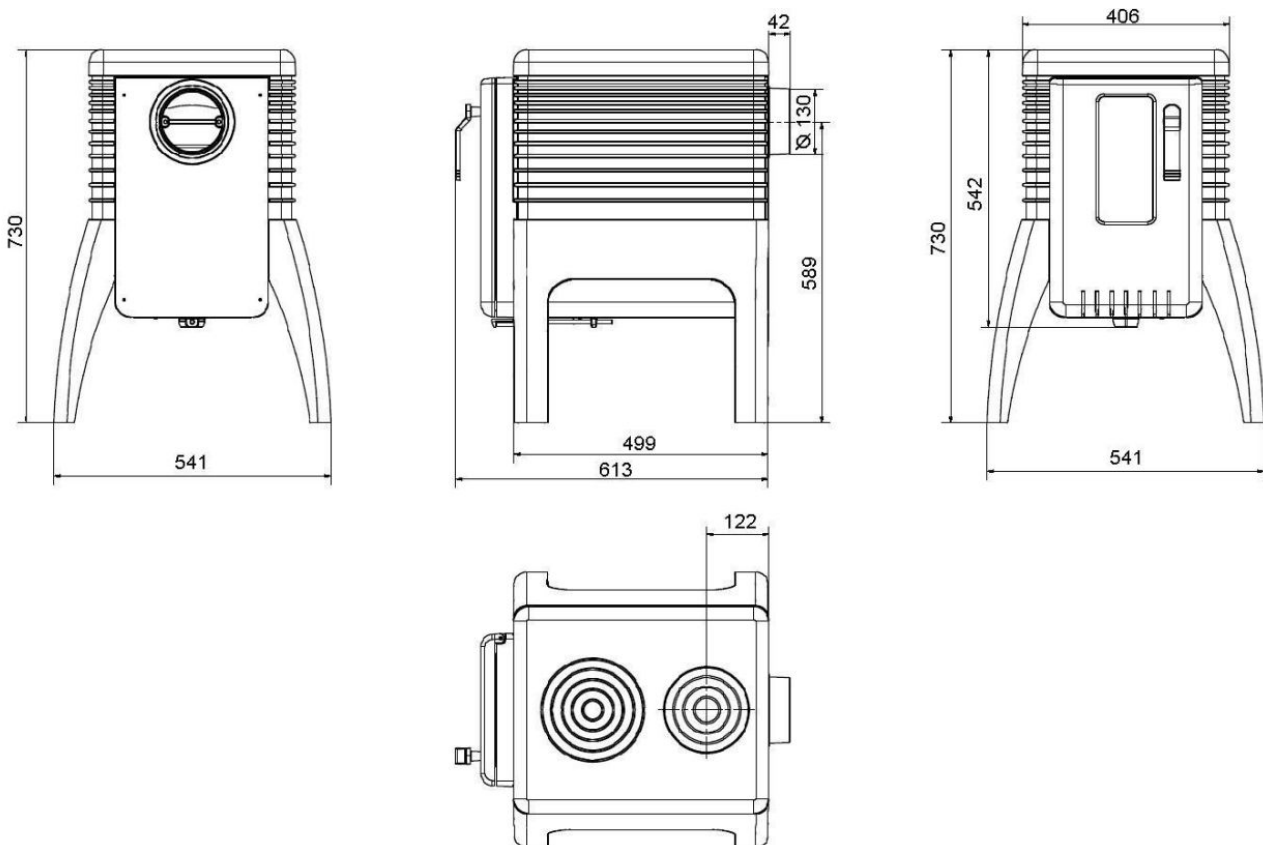
Illustr. 1: Identification plate

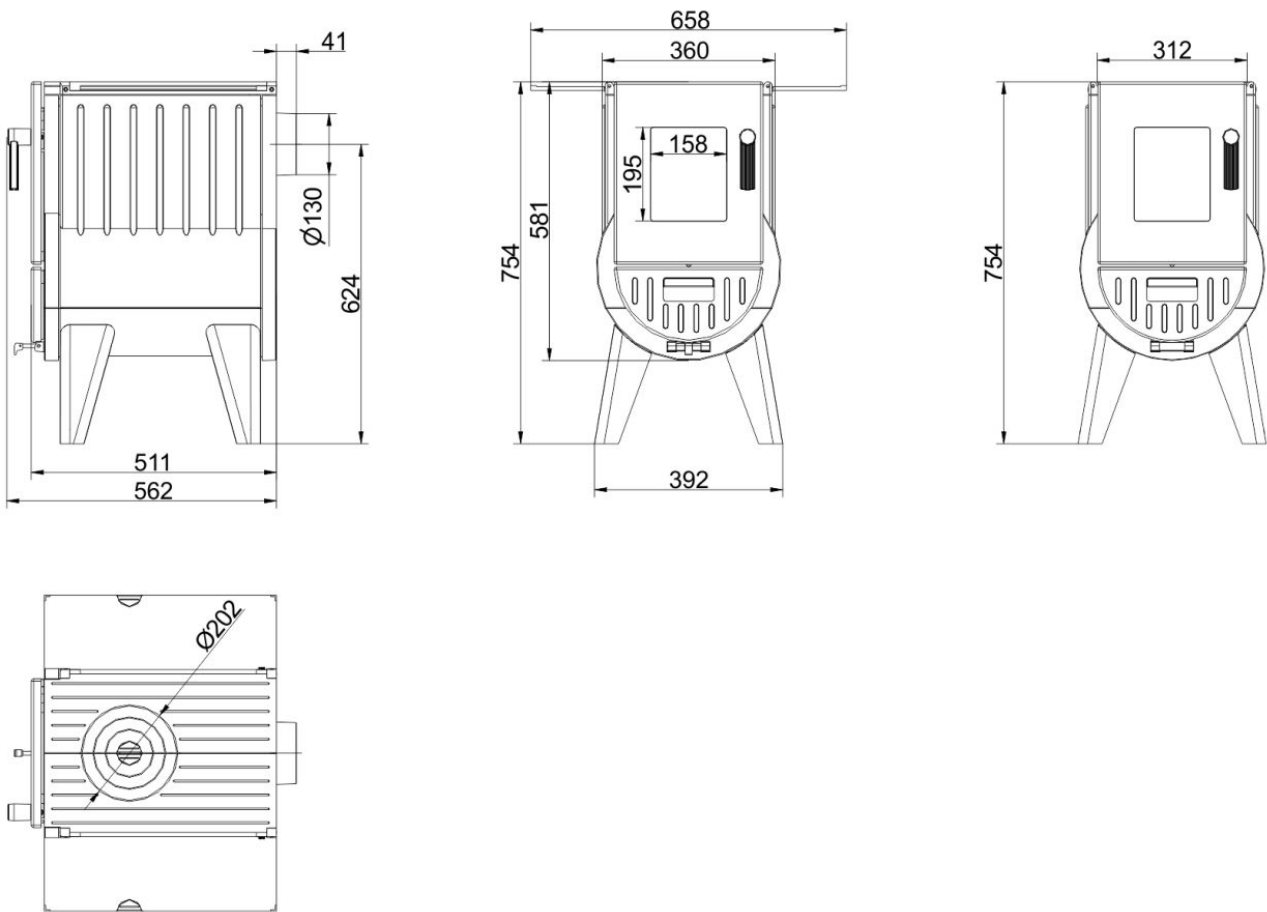
6 DIMENSION DRAWINGS

Iron Dog 01

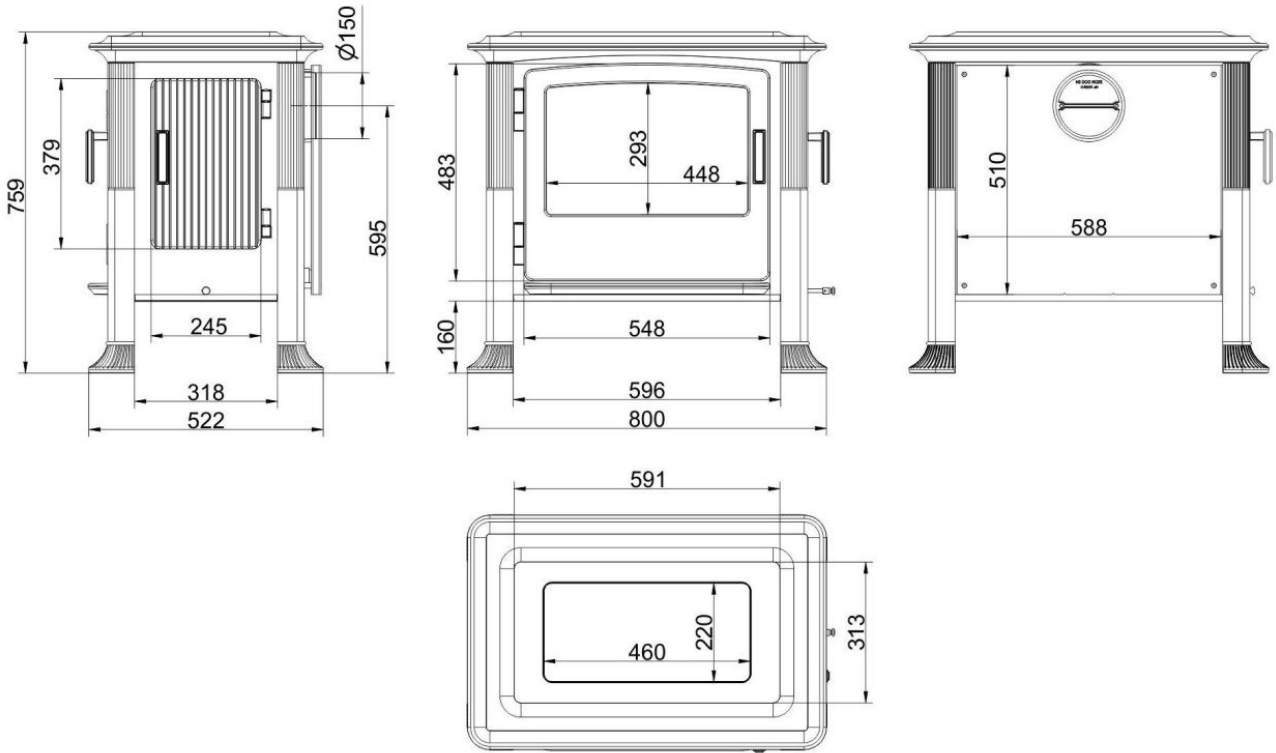


Iron Dog 02

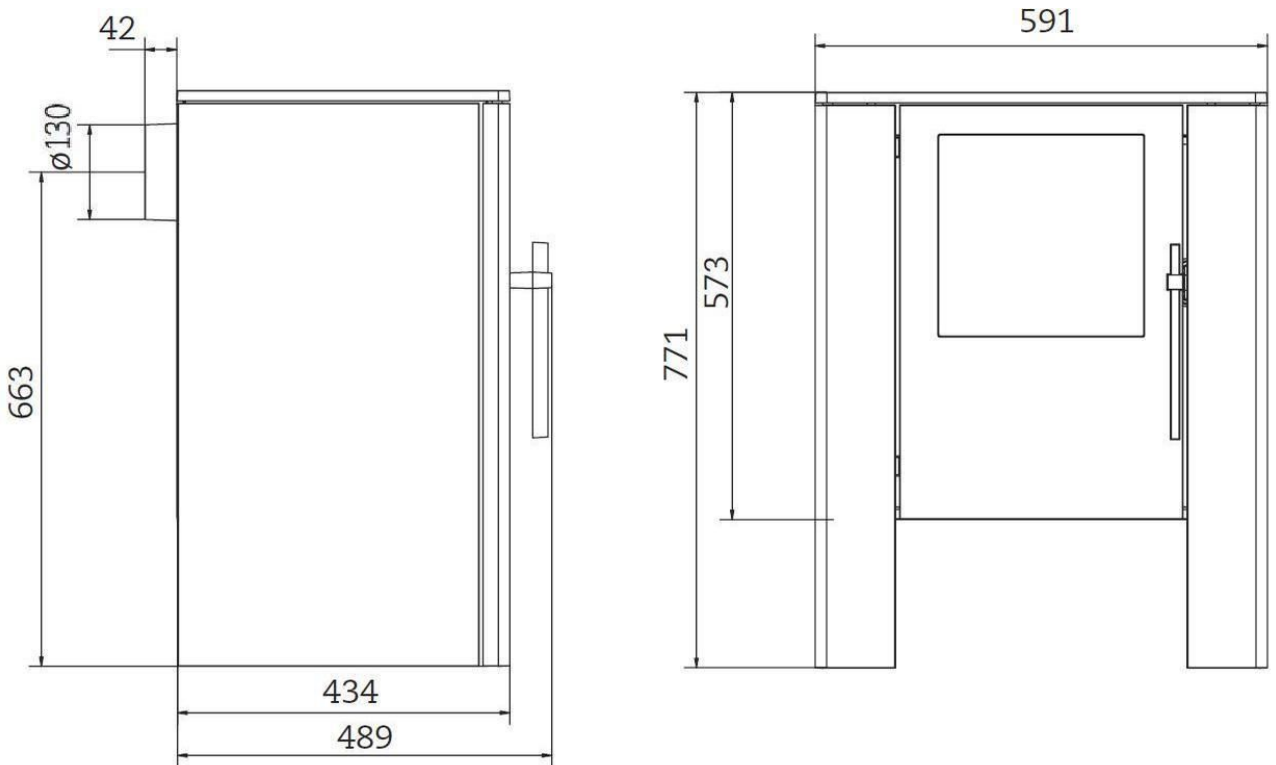


Iron Dog 03

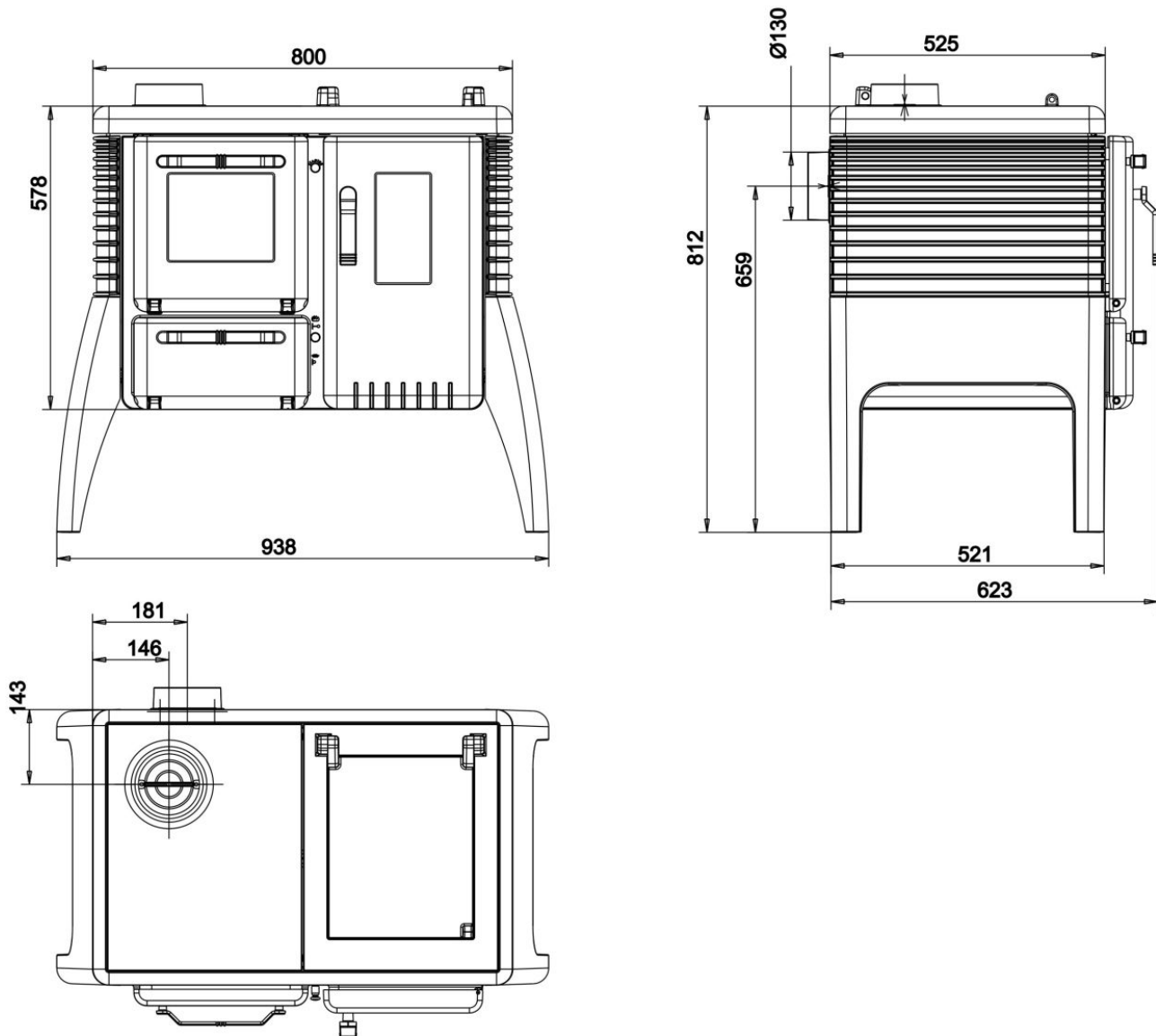
Iron Dog 04



Iron Dog 05



Iron Dog 06



7 REQUIREMENTS TO THE INSTALLATION AREA

Possible locations for an **IRON DOG** are only such rooms, where no danger can occur, if only the instructions for use are being followed and the system is properly used. The state, structure and intended use of the room must be considered when choosing the location.

The installation of the **IRON DOGD**, the chimney connection and the combustion air supply must be arranged in consultation with the stove-fitter.

The **IRON DOG** should not be installed in places where the necessary supply of combustion air is not guaranteed or in places where flammable materials or explosives are stored, manufactured or processed.

The floor area where the device is installed must be large enough and configured in such a way that it allows a proper operation of the stove.

8 INSTALLATION

The stove has to be installed vertically on a load-carrying floor. Any differences in height can be compensated using the M10 screws screwed into the floor frame/foot.

The floor under the **IRON DOG** must exist of an incombustible cover. Materials as glass, steal, ceramic tiles or natural stone can be used. See also the information in the chapter 'Distances'.

The exhaust gas stub of the Iron Dog 01, Iron Dog 02 and Iron Dog 06 can be removed from the rear and placed on the top. Exhaust gas stub and blanking cover are fixed from within the firing chamber with two inside hexagonal bolts each. For modification remove the stove top and exchange the position of the exhaust gas stub and the blanking cover. The baffle plate (not Iron Dog 06) can be removed for a better accessibility.

After modification replace the parts again in their correct position, paying attention to a perfect placing of the stove rope seals.

The stove top of the IRON DOG 03 is protected by two swiveling retaining plates, so that with loading one side of the unfolded stove top plates the device does not turn over. The retaining plates are accessible by the opened firing chamber door.



Before using the stove, please check whether the stove top is protected



Illustr. 2: Lever open



Illustr. 3: Closing the lever



Illustr. 4: Losening the retaining plate

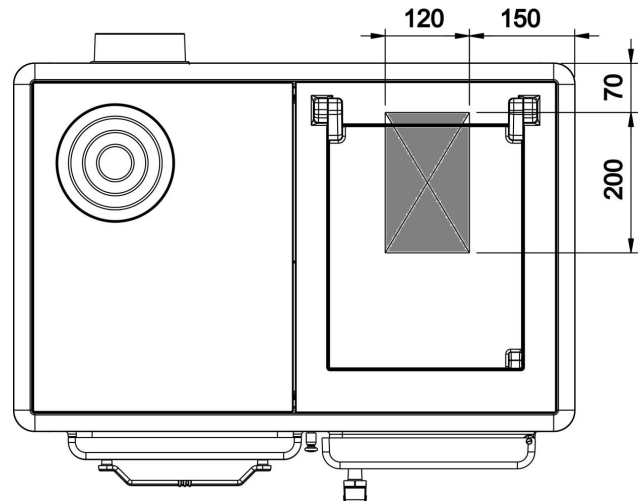


The maximally allowable load of the unfolded stove top plates of the Iron Dog 03 is about 10 kg. Point this out to the operator of the Iron Dog 03.



The Iron Dog 06 can also be installed without leveling feet. In this case the Iron Dog 06 should be placed on a base from mineral, non-combustible material.

In this base, the area marked in the illustration must be kept open, in order to guarantee sufficient combustion air supply. The combustion air must be able to flow freely to this area.



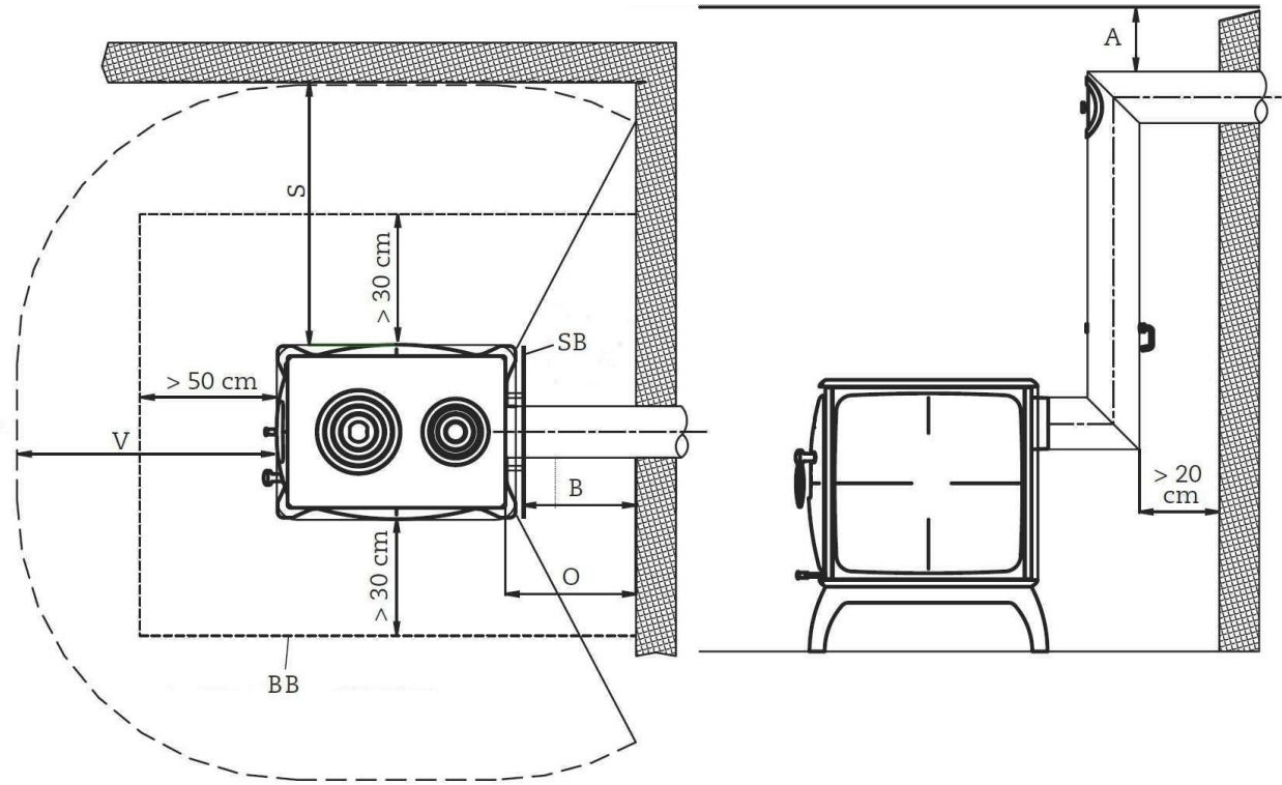
Illustr. 5: Combustion air supply

9 DISTANCES

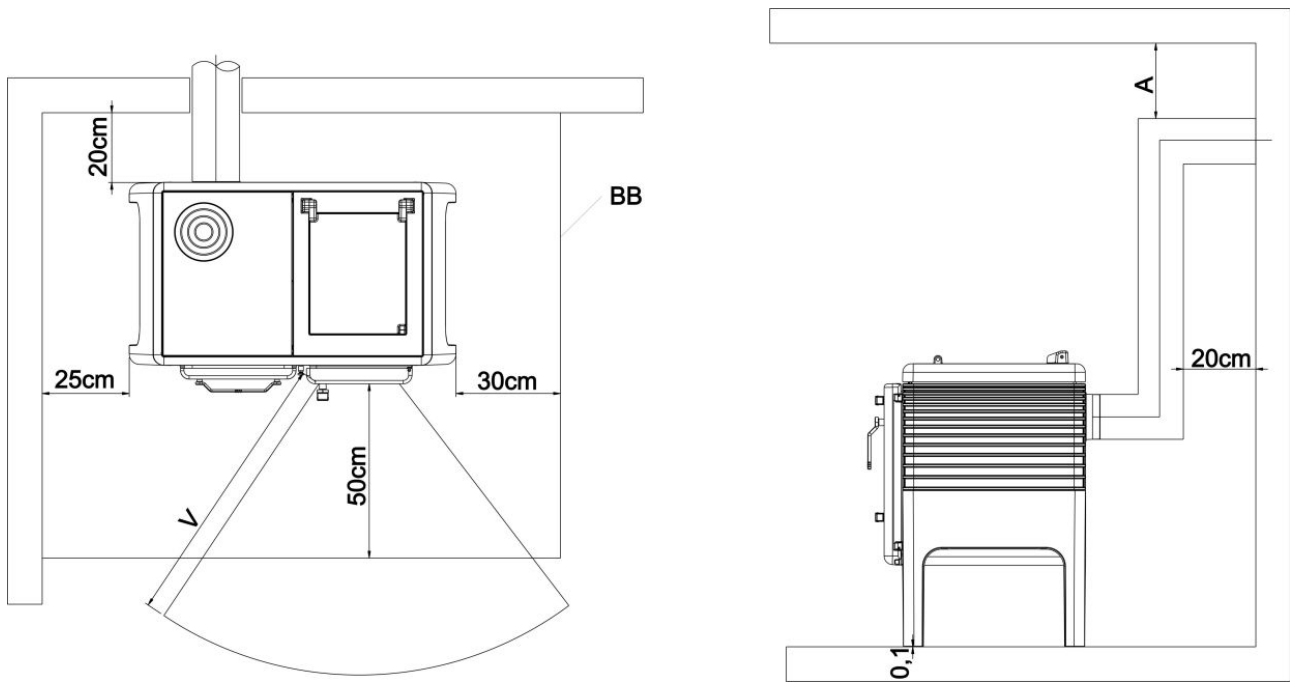
The floor area (BB) under and in front of the Iron Dog must consist of an incombustible cover. Details can be found in the technical data.



The given safety distances guarantee that at adjacent construction parts (wall) no temperatures $> 85^{\circ}\text{C}$ can appear. If necessary keep bigger distances towards delicate objects and furniture. If a radiation shield (SB) is placed at the back wall, the Iron Dog can be placed at a distance "B" from the back wall. If in addition to the radiation shield "SB" also a ventilated double-walled wall protection shield is used, the distance to the wall can be reduced to "W" (not shown in the illustration). Without radiation shield the minimum distance "O" should be kept. The safety distance of the smoke pipe to the ceiling of the building "A" depends on the material used for the ceiling.



Illustr. 6: Recommended distances to the Iron Dog 01 - Iron Dog 05



Illustr. 7: Recommended distances to the Iron Dog 06

10 COMBUSTION AIR

A heating device may be located only in rooms, where sufficient combustion air supply is guaranteed. Normal operation requires sufficient air supply using a separate **combustion air connection**.

Sufficient combustion air supply is present, when by natural means or using technical equipment a combustion air volume of 12,5 m³ per 1 kg fuel throughput can stream into a room with wood-burning fireplace over a period of 1 hour at calculated negative pressure below 0,04 mbar (4 Pa) against outside air pressure. This is equivalent to a speculative heating power (PLF) of 8 kW per 1 kg fuel throughput.

Combustion air supply is ensured in rooms with at least one window or one door leading to the exterior that can be opened, or when these rooms are directly connected or interconnected by air with other rooms of such type. Rooms considered as directly connected or interconnected by air, can as such be only parts of one flat or one facility of other kind. Particular attention to combustion air supply is to be paid, when exhaust fans and other heat generators in the same room combination are operated, or when multiple heating devices are connected to one single chimney.

Ventilation systems in this room combination cannot create negative pressure, which could affect the functioning of the fireplace. Exhaust ventilation systems operating in the same room or room combination together with fireplaces, can cause many problems.

When in the same room or additional rooms in connection other fireplaces are in operation, these fireplaces require at least 1,6 m³ of combustion air per hour for each kW of their total rated heat power. When a room contains only a small volume of air and furthermore, the building is relatively air-tight, a separate combustion air supply leading to the exterior is required.

Ventilation lines or shafts must be tight and accessible for revision and cleaning. Ventilation air grilles cannot narrow the free cross section.

Make sure to avoid the risk of water condensation in combustion air pipe when cold air is aspirated from outside the building!

Remember about noise insulation!

Ventilation lines and their insulation materials must not contain any combustible ingredients (class A1 building materials). For buildings with more than two storeys and when crossing fire protection walls, the construction of these ventilation lines must prevent fire and smoke from penetrating other fire protection zones (their components must have a fire resistance rating of >90 minutes (F90)). See also regional building law.

11 CHIMNEY AND SMOKE PIPE CONNECTION

Chimney and smoke pipe connection design must be in accordance with DIN 18160.1; dimensions must be calculated according to DIN EN 13384. For calculations, please consider that with open doors (when stoking wood) a significantly increased air volume must be led away safely.

Connection of multiple heating devices to one single chimney is permitted for various stove types, when approved by a qualified chimney sweep.

When using a steel smoke pipe as connecting piece between additional heating surfaces and chimney, the pipe wall thickness must be at least 2 mm. The connecting piece must be connected directly to the chimney.

For a safe operation a soot fire resistant chimney T400 is required.

All smoke pipe connections must be sealed tightly! Remember to provide access for cleaning!

12 INITIAL OPERATION

Check the correct position of the fireplace parts. The baffle plate (not Iron Dog 06) must touch the back wall. Up to the first reaching of the maximum operating temperature, the paint keeps hardening. This may cause some smoke and smell nuisances. Therefore it is important to ensure sufficient room ventilation. Open doors and windows. Don't stay in the room longer than necessary.



Please read the user manual!

		Iron dog 01	Iron dog 02	Iron dog 03	Iron dog 04	Iron dog 05	Iron dog 06
Energy label / EEI		A / 106,9	A / 106,9	A / 106,09	A+ / 108,8	A / 107,3	A+ / 110,5
Rated heat power	kW	7	7	7	8	7	8
Flue gas mass flow	g/s	7,6	7,6	7,6	8,2	7,4	11
Outlet temperature at exhaust gas stub	°C	353	353	353	322	356	290
Minimum chimney pressure	Pa	12	12	12	13	12	13
Combustion air consumption	m ³ /h	15	15	15	18	15	18
Heating capacity	m ²	50 - 90	50 - 90	50 - 90	60 - 110	50 - 90	60 - 110
Firewood consumption / h	kg	2	2	2	2,2	2	2,5
Quantity of wood	kg	1,5 - 2,5	1,5 - 2,5	1,5 - 2,5	1,5 - 2,5	1,5 - 2,5	2,0 - 3,0
Recommended log lengths	cm	25 - 33	25 - 33	25 - 33	33 - 50	25 - 33	25 - 33
Efficiency	%	81	81	82	82	81	82
Device data							
Dimensions (hxwxh)	cm	68x44x63	73x54x61	76x39x56	76x80x52	77x9x49	81x94x62,5
Window surface (hxw)	mm	195x150	245x105	285x160	285x450	250x260	207x102
Fire chamber opening (hxw)	mm	200x245	205x210	208x195	255x218	265x295	238x267
Grill surface (wxh)	mm	-	-	-	-	-	260x360
Oven (hxwxh)	cm	-	-	-	-	-	27x30x41,5
Smoke pipe connection		Top / Rear	Top / Rear	Rear	Rear	Rear	Top / Rear
Smoke pipe ø	mm	130	130	130	150	130	130
Fire chamber depth	cm	40	40	38	60	40	45
Weight	kg	130	150	135	240	200	310
Minimal distance							
to the side wall "S"	cm	80	80	80	60	80	25
to the back wall (without radiation shield) "O"	cm	40	40	40	-	40	20
to rear (with stove radiation shield) "B"	cm	30	30	30	30	30	-
to rear (with stove radiation shield and wall protection shield) "W"	cm	10	10	10	10	10	-
To the front "V"	cm	80	80	80	80	80	80
Tested according to		EN13240	EN13240	EN13240	EN13240	EN13240	EN12815

The data are acquired during a EN 13240-test – room heater with horizontal smoke pipe connection, pipe length 35 cm

Ulrich Brunner GmbH

Zellhuber Ring 17-18

D-84307 Eggenfelden

Tel.: +49 (0) 8721/771-0

Fax: +49 (0) 8721/771-100

Email: info@brunner.de

Art.Nr.: 19873