

BRUNNER WATER BOILERS



Kamin-Kessel Eck 45/67/44

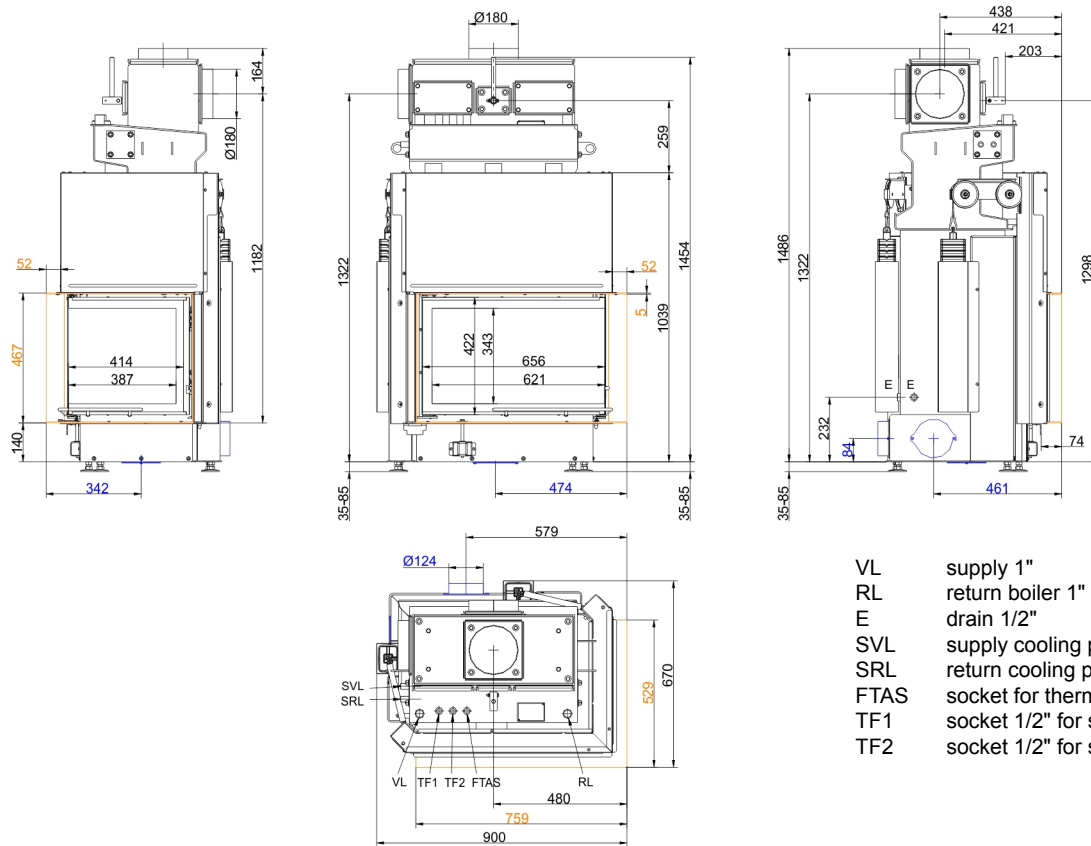
lifting door (easy-lift)

State: 2018-03-23

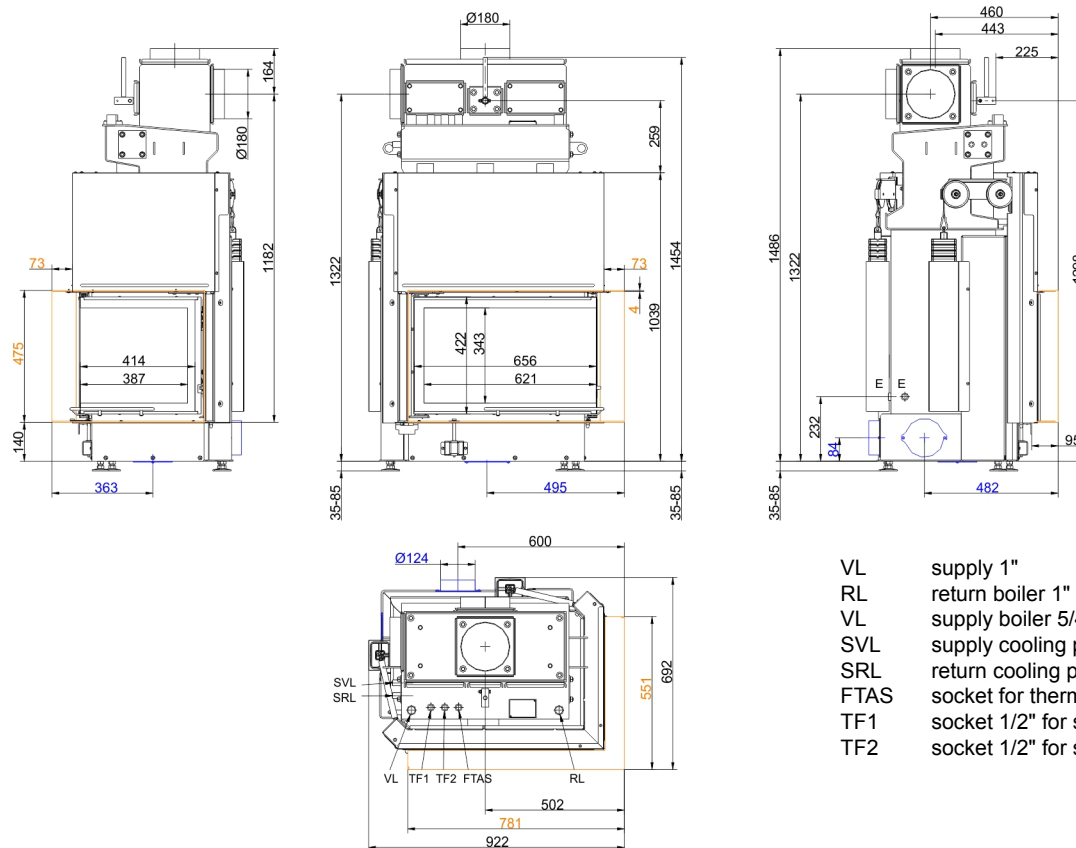


BRUNNER[®]
made in germany.

Dimension sheets - Kamin-Kessel Eck 45/67/44 lifting door (easy-lift)

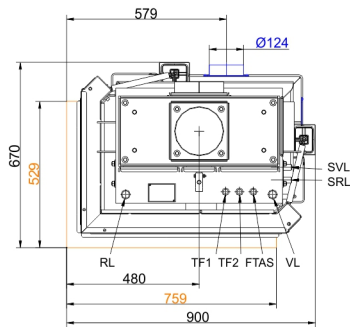
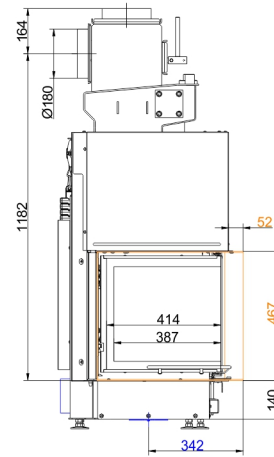
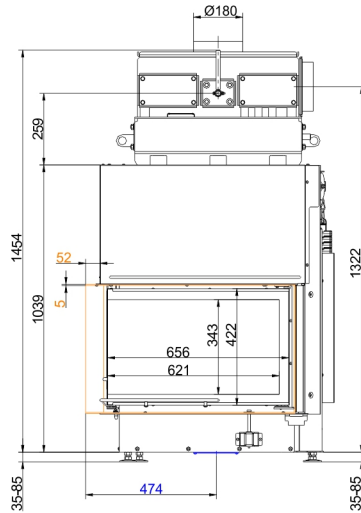
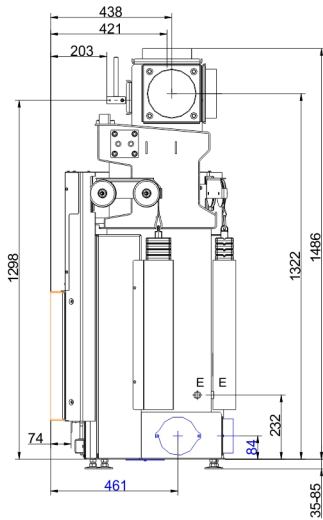


... right with mounting frame 50 mm



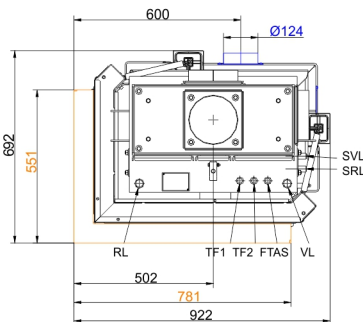
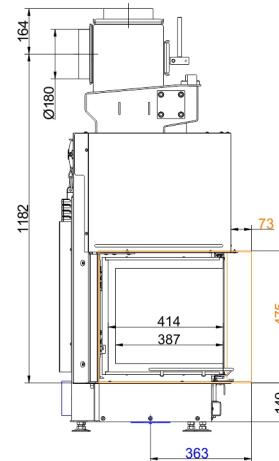
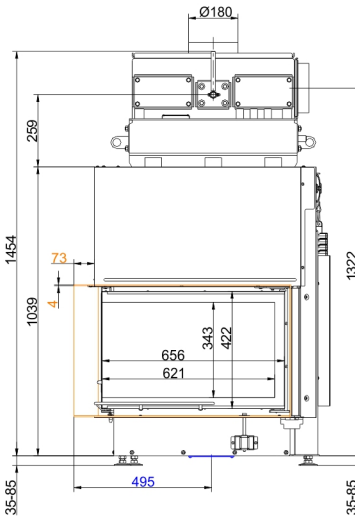
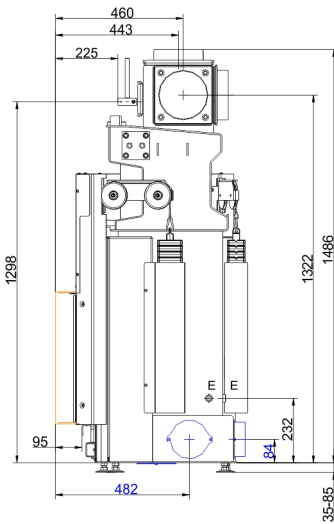
... right with mounting frame 70 mm

Dimension sheets - Kamin-Kessel Eck 45/67/44 lifting door (easy-lift)



- VL supply 1"
- RL return boiler 1"
- E drain 1/2"
- SVL supply cooling pipe outlet
- SRL return cooling pipe outlet 1/2"
- FTAS socket for thermal safety sensor
- TF1 socket 1/2" for sensor
- TF2 socket 1/2" for sensor

... left with mounting frame 50 mm



- VL supply 1"
- RL return boiler 1"
- E drain 1/2"
- SVL supply cooling pipe outlet
- SRL return cooling pipe outlet 1/2"
- FTAS socket for thermal safety sensor
- TF1 socket 1/2" for sensor
- TF2 socket 1/2" for sensor

... left with mounting frame 70 mm

We suggest for CAD planing Palette CAD. Permanent updated drawings: www.brunner.de
Frames / front versions are marked colored.

Planning and installation - Kamin-Kessel Eck 45/67/44 lifting door (easy-lift)

Tested according to		EN 13229 W	EN 13229 W
Values measured at		Rated capacity	practical avg.
EEl		110.1	110.1
Data for functional demonstration			
Rated heat power	kW	12	-
Fire wood volume	kg/h	3.6	5.7
Combustion performance	kW	14	24
Flue gas mass flow	g/s	14	19.5
Flue gas temperature after:			
boiler	°C	150	200
Necessary supply pressure	Pa	12	12
Combustion air consumption	m ³ /h	35	50
Combustion air connection Ø	mm	125	125
Heat distribution			
Insert / heat accumulator	%	10 / -	10 / -
Glass pane (single / double)	%	35 / -	35 / -
Boiler		55	55
Cross-section of gratings ¹⁾			
Convection air	cm ²	200 / 200 / -	200 / 200 / -
Supply air	cm ²	200 / 200 / -	200 / 200 / -
Minimal distances of the fireplace			
to insulation layer	cm	6	6
to mounting floor	cm	2	2
Thermal insulation without / with air gratings ²⁾			
Mounting wall	cm	8	8
Floor	cm	0	0
Ceiling	cm	10	10
Brick lining for combustible wall	cm	10	10
Water boiler data			
Max. operating pressure	bar	3	3
Max. flow temperature	°C	100	100
Water volume	liter	61	61
Connections flow / return	inches	1	1
Weight			
Fireplace / combustion chamber	kg	346 / 62	
Meets requirement/limit values for:			
Germany/ Austria / Suisse / Norway		1.BImSchV (Stufe 2) / 15a BVG (2015) / LRV / -	

1) for fireplace inserts / flue gas pipe / metallic reheating surface

2) Values determined with upper air sections; stove cladding is heat emitting.