

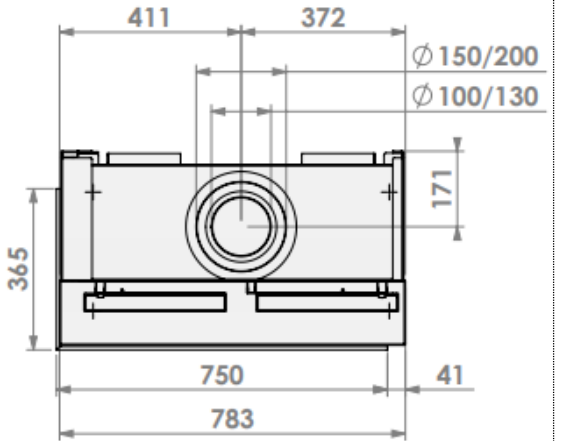
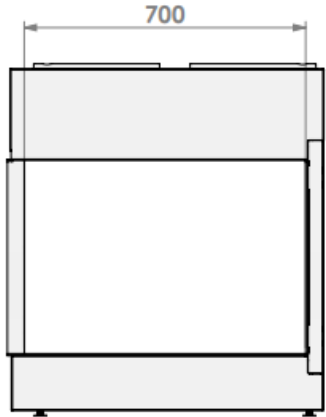
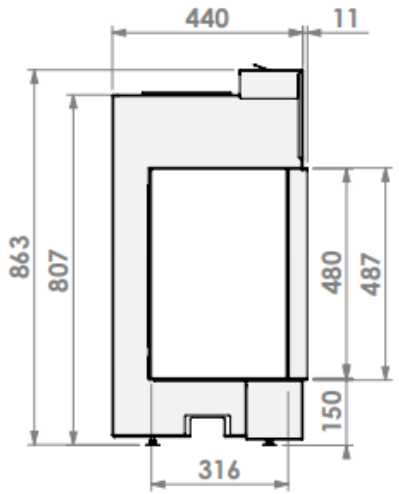


Corner Bell Small 3 L+R

Effekt (Min-maks).....1,3- 6,6 KW
 Std. brennerCentre Fire
 Vekt82 kg
 Energimerking**A-B**
 Avgass størrelse $\phi 150/100 - \phi 200/130$ mm
 ModellCorner Bell Small 3 L+R



Standard smal ramme
(Hidden door)



Bred ramme
(Hidden door + 10cm)

