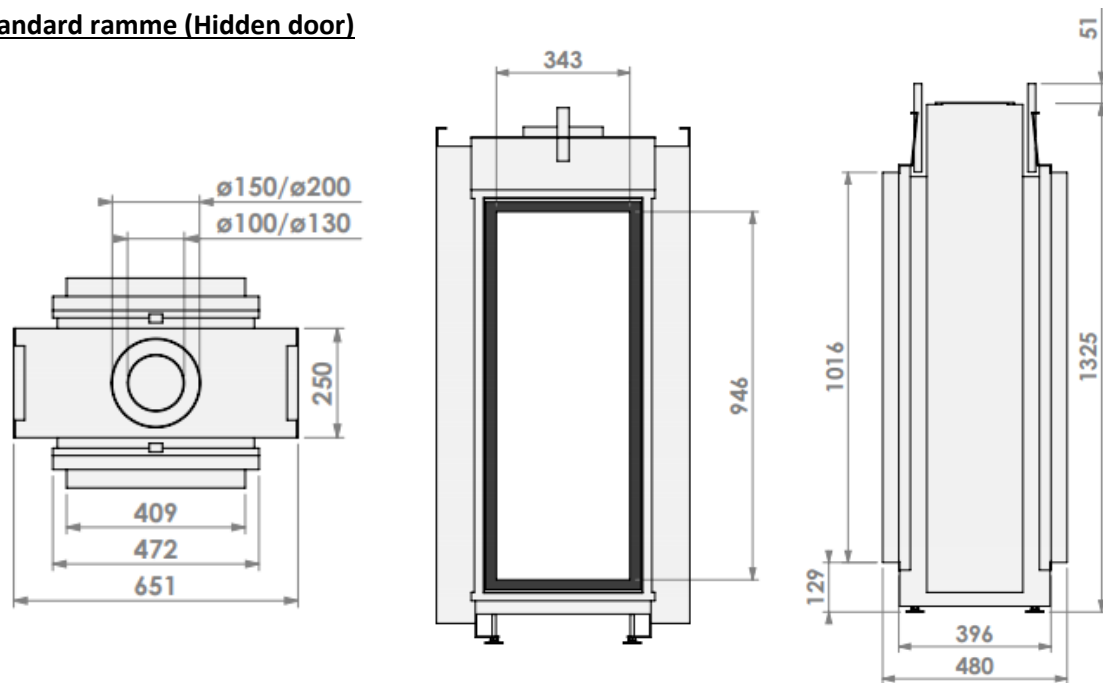


Vertical Bell Medium Tunnel 3

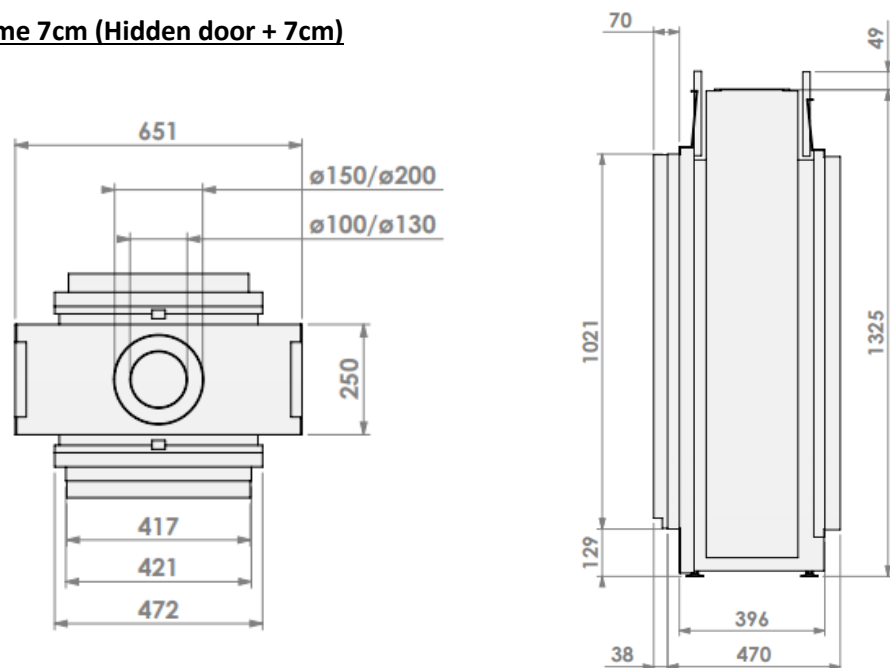


Standard ramme (Hidden door)



Effekt (Min-maks).....	0,9 – 4,9 KW
Std. brenner	Centre Fire
Vekt	96 kg
Energimerking	A
Avgass størrelse	$\varnothing 150/100 - \varnothing 200/130$ mm
Modell	Vertical Bell Medium Tunnel 3

Ramme 7cm (Hidden door + 7cm)



Bred ramme (Hidden door + 10cm)

